

## GSLD Swing Lift-Down Stay

### Lift-down opening

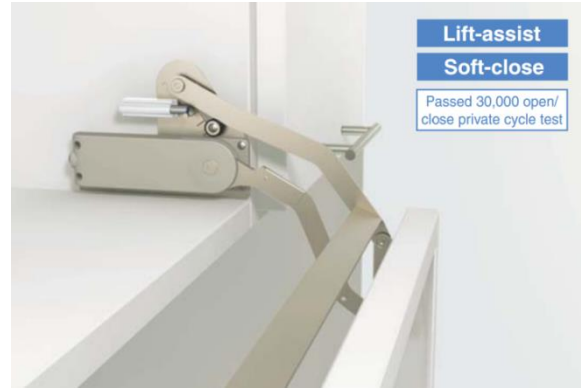
Opening Direction	Item Name	Description	Door Width	Door Height	Door Weight
 Lift-down	GSLD-3				3-4 kg
	GSLD-4	Lift-assist Soft-close	600 ~900	360 ~400	4-5 kg
	GSLD-5				5-6 kg

#### Features

- Patented mechanism helps open and close smoothly
- Unique swing down mechanism holds the door in fully opened position
- Damper provides smooth and soft closing
- Installed on the top of cabinet bottom board for maximum space inside the cabinet
- Passed 30,000 life cycle test

#### Notes

- Operating temperature: 5°C - 35°C
- Use in pairs
- 1 connecting bar (sold separately) required for 1 set of stay. Install 2 pcs to ensure lateral strength
- For glass door, the min. frame width is 45 mm
- Advisable to install a handle (sold separately) in the middle of door width
- For easy door opening, install the handle above the bottom edge of door side mounting plate

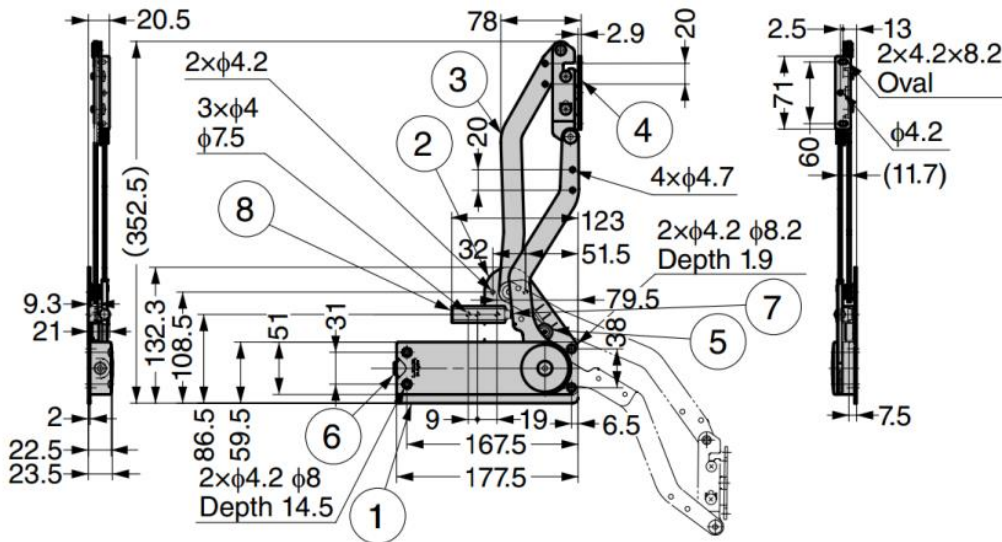


#### Parts Included

- Binding head tapping screw 3.5×15 (for main body)
- Countersunk head tapping screw 3.5 ×20 (for damper)
- Truss head tapping screw 4.5 ×12 (for connecting bar)

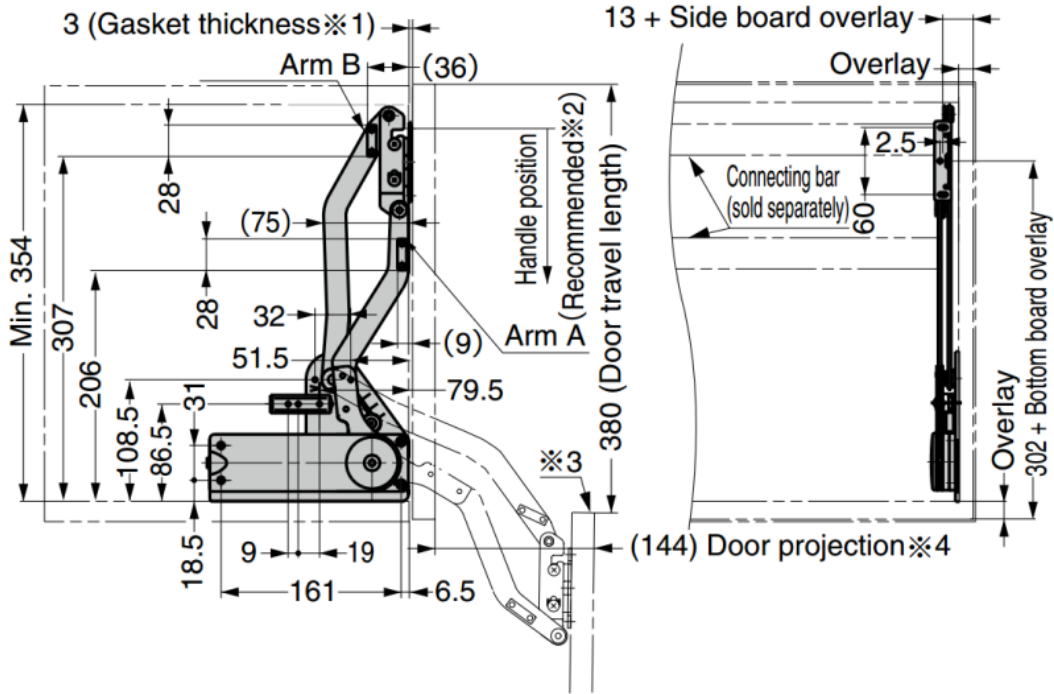
#### Sold Separately

- Connecting bar **GSLUB**



No.	Part Name	Material	Finish/Colour
①	Body	ABS	Grey
②	Mounting Plate	Steel (SPCC)	Chrome
③	Arm		
④	Mounting Plate		
⑤	Stopper	POM	Black
⑥	Adjustment Screw	Steel (SWCH)	Tin Cobalt Plating
⑦	Damper Core	POM	-
⑧	Damper Holder	PA	-

## Installation



- ※1: Dimension with gasket attached on door. Without gasket, shift stay installation position towards back panel side by 3mm.
- ※2: Install handle below the top edge of door side mounting Plate as shown above.
- ※3: If door height is 380mm or more, upper part of door will cover cabinet bottom board when door is fully opened.
- ※4: Maximum door projection is 242mm.

## Main Body

Part No.	Material	Finish	Door Width	Door Height	Door Weight
GSLD-3	ABS / Steel	Chrome / Grey	600 ~ 900	360 ~ 400	3 ~ 4 kg
GSLD-4					4 ~ 5 kg
GSLD-5					5 ~ 6 kg

- 2 types of connecting bars are available for cabinet overall width 600 mm and 900 mm
- Dimensions in the bottom table are for standard products with side board thickness of cabinet 15 mm. If the side board thickness is over 15 mm, the connecting bar should be cut according to the formula (on the right)

Arm A: Connecting bar length = Cabinet overall width - (Side board thickness x 2) - 35

Arm B: Connecting bar length = Cabinet overall width - (Side board thickness x 2) - 19

## Connecting Bar (Sold Separately)

Part No.	Material	Finish	Mounting Position	Length of Connecting Bar for Cabinet	
				Overall Width 600	Overall Width 900
GSLUB-535	Aluminium Alloy	Anodised	Arm A	535	-
GSLUB-551			Arm B*	551	
GSLUB-835			Arm A	-	835
GSLUB-851			Arm B*	-	851

\*If the centre part of door is glass etc., install the connecting bar on arm B to make it inconspicuous